

Product Information	
Manufacturer	Cree, Inc
Model Number (SKU)	BXSP-C-xx-3ME-E-30K--UL
Serial Number	PL10350-001
LED Type	MDA

Product Description
Cast Cobra Head, 5 polymeric optics; 1 covering each LED

Driver Information (Where Applicable)
Philips Advance Xitanium LEDINTA1500C100DO

Length	Width	Height
23"	9.25"	5.25"

Sample
<p>The following sample was submitted for evaluation</p> <div style="text-align: center;">  </div>



NVLAP Lab Code 500089-0

Key Photometric Data	Sphere Output	Goniophotometer	
Luminous Flux	7209.0	7059.6	lm
Efficacy	72.91	71.47	lm/W
Correlated Color Temperature (CCT)	3001	K	
Color Rendering Index (CRI)	80		
R ₉	4		
Duv	0.000154		
S/P Ratio*	1.27		

Electrical Measurements	Sphere		Goniophotometer		
	120V	277V	120V	277V	
Input Wattage	98.87	98.10	98.76	98.09	W
Input Current	0.83	0.38	0.82	0.38	A
Input Voltage	120.09	277.16	120.15	276.94	V
Power Factor	0.997	0.942	0.998	0.942	
Off-State Power	0	0	0	0	W
Total Harmonic Distortion (Voltage)	0.06	0.05	0.12	0.07	%
Total Harmonic Distortion (Amperage)	5.32	9.57	4.95	10.87	%

Note: All photometric measurements taken at 120VAC.

Luminous Intensity Distribution	Goniophotometer	
Max Candela	6054.4	Cd
Angle of Max Candela (Horizontal)	60	°
Angle of Max Candela (Vertical)	67.5	°

Key Test Parameters	Sphere Output	Goniophotometer	
Stabilization Time	57	71	min
Total Operating Time (Stabilization + Test)	62	91	min
Ambient Temperature	25.1	24.7	°C

HAWK - model: WP-LED2

Endurance Wallpack

WAC LIGHTING

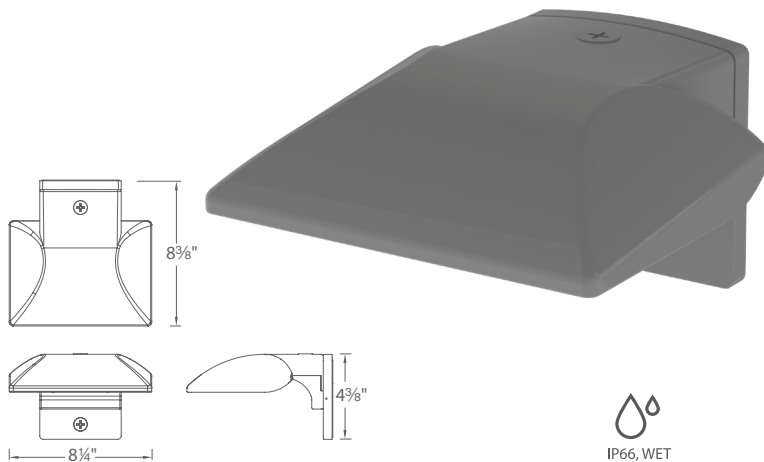
Responsible Lighting®

Fixture Type:

Catalog Number:

Project: _____

Location: _____



SPECIFICATIONS

Construction: Die-cast aluminum

Power: Integral driver in luminaire. Universal voltage input (120V-277V)

Dimming: 100% - 30% with 0 - 10V dimmer (120V - 277V)

100% - 15% with Electronic Low Voltage (ELV) dimmer (120V only)

Finish: Architectural Bronze, Graphite, and White

Standards: IP66, Wet Location, ETL & cETL Listed

Total Harmonic Distortion: 35%

Operating Temperature: -40°C (-40°F) to 40°C (104°F)

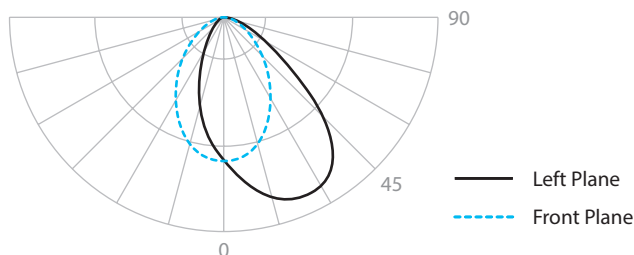
PRODUCT DESCRIPTION

Die cast aluminum factory sealed housings with patent pending design for a water and dust proof IP66 rated outdoor luminaire

FEATURES

- Factory-Sealed LED Light Engine
- Die-Cast Aluminum Construction
- 20° Forward Throw Illumination
- Photo/Motion Sensor Compatible (Sold Separately)
- Built-in Level For Easy Adjustment
- Suitable to install in all directions
- Multi-Function Dimming: ELV (120V) or 0-10V
- 85 CRI
- 100,000 hour rated life

PHOTOMETRY



ORDER NUMBER

		Power	Comparable	Color Temp	Delivered Lumens	CBCP	Finish
	WP-LED219	19W	39W HID	30 3000K	1345	1022	aBZ Architectural Bronze aGH Architectural Graphite aWT Architectural White
				50 5000K	1435	1056	
	WP-LED227	27W	70W HID	30 3000K	2050	1436	
				50 5000K	2095	1478	



Example: **WP-LED219-30-GH**

ACCESSORIES

Motion Sensor (120V)

MS-120-BZ	Bronze
MS-120-GY	Gray
MS-120-WT	White

Photo Sensor (120V)

PC-120-BZ	Bronze
PC-120-GY	Gray
PC-120-WT	White

WAC Lighting
www.waclighting.com
Phone (800) 526.2588 • Fax (800) 526.2585

Headquarters/Eastern Distribution Center
44 Harbor Park Drive • Port Washington, NY 11050
Phone (516) 515.5000 • Fax (516) 515.5050

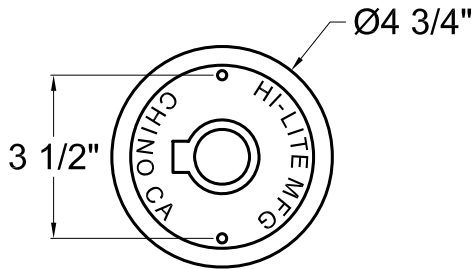
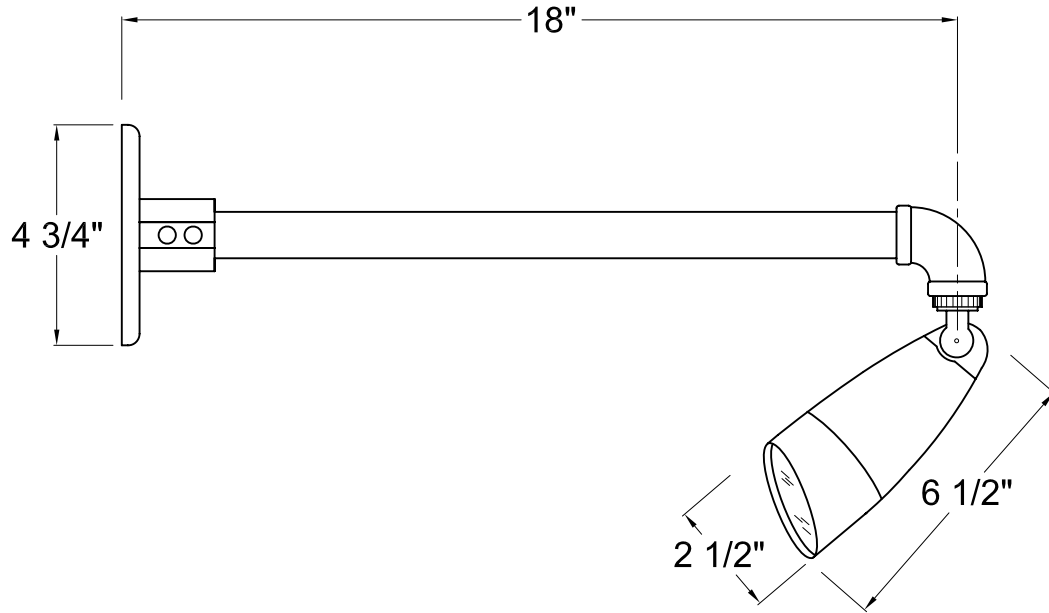
Western Distribution Center
1750 Archibald Avenue • Ontario, CA 91760
Phone (800) 526.2588 • Fax (800) 526.2585



HI-LITE MFG. CO., INC.

13450 Monte Vista Avenue
 Chino, California 91710
 Telephone: (909) 465-1999
 Toll Free: (800) 465-0211
 Fax: (909) 465-0907
 www.hilitemfg.com

JOB NAME:		
SCALE: N.T.S.	DATE: 09/25/2014	TYPE: WSCXC-2
DRAWN BY: S.M.-D	QTY:	
SHEET:		REV:



CANOPY FRONT VIEW

Item Number	Wattage	Voltage
GU10-119/18-1-119	50W	120V

Finish
119-Bronze

Mounting
Wall Mount

Lamp/Socket
GU10

***Confidential and Proprietary. The Information contained on this page is the sole property of HI-Lite Mfg. Co., Inc. Any reproduction, redistribution, or use to profit from in part or as a whole without prior written authorization of HI-Lite Mfg. Co., Inc. is unlawful, against trade laws and will be prosecuted to the fullest extent.